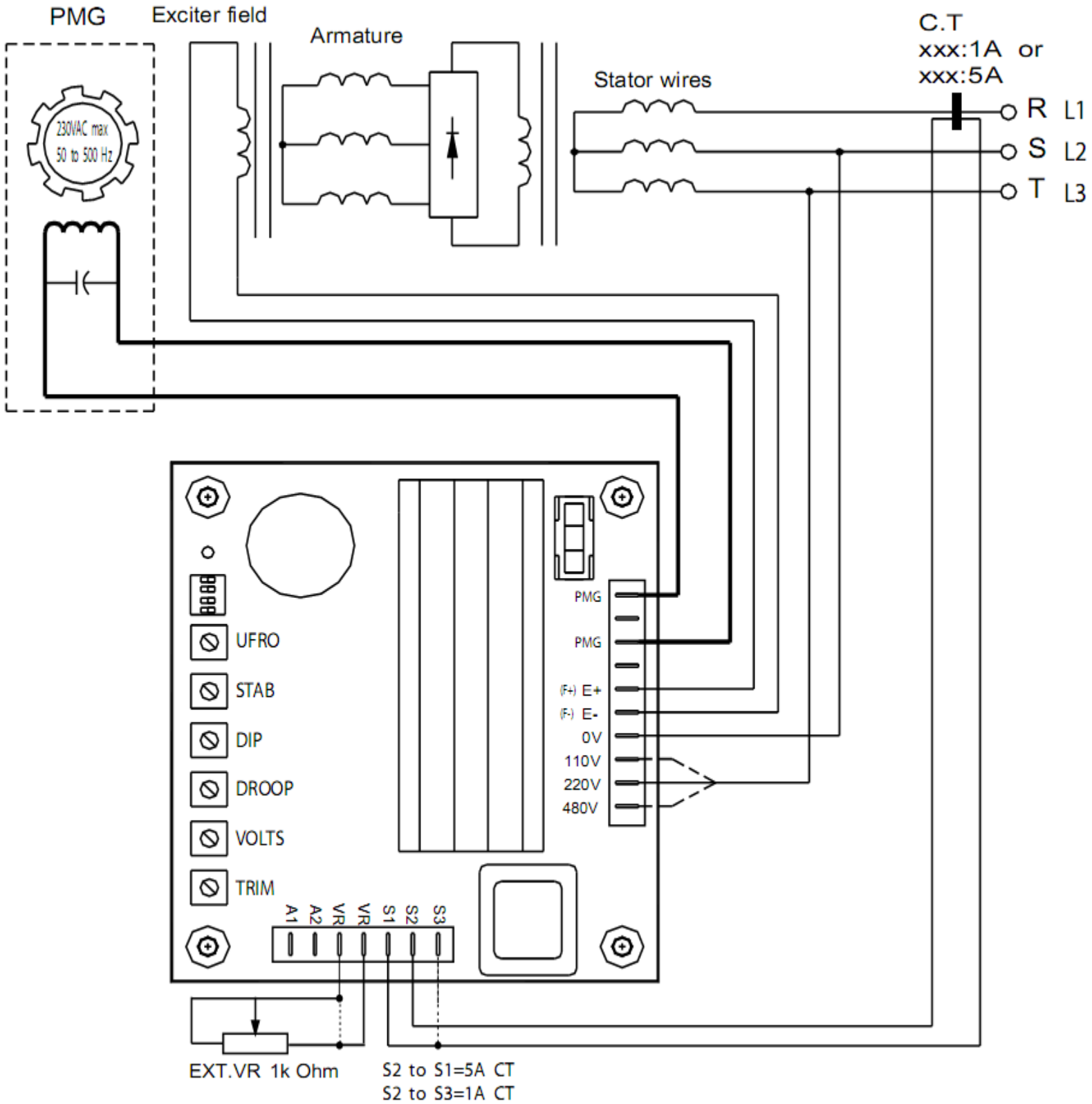


VR2000E-A Connection diagram



- ※ Use original spare (10A) fuse for replacement.
- ※ Product's specification and appearance may be modified without prior notice.