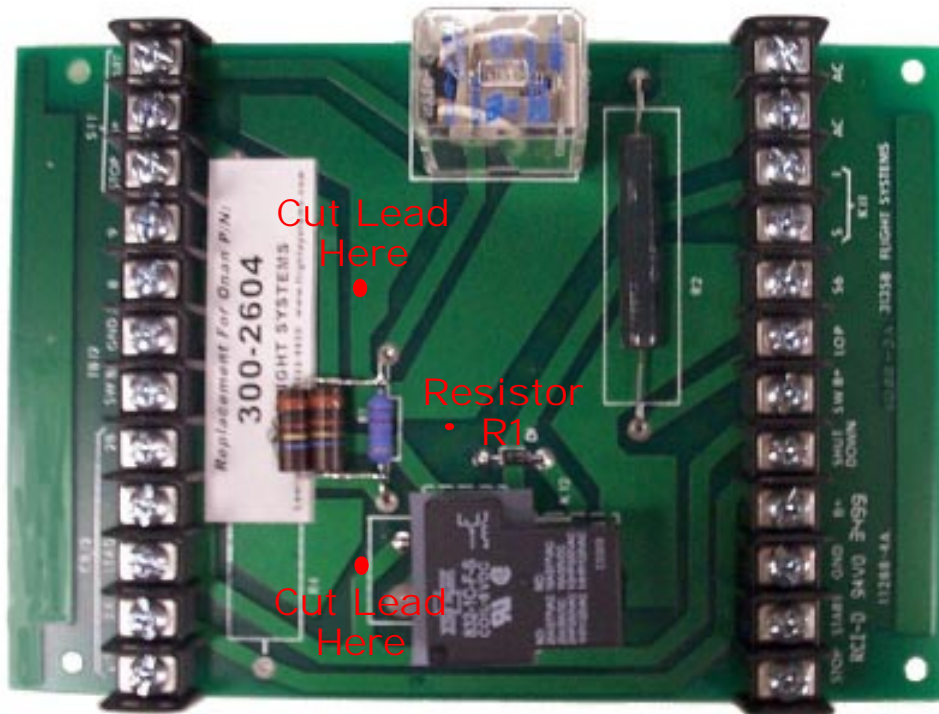


# IMPORTANT NOTICE

## *Please Read Prior to Installing this Flight Systems Replacement for Onan 300-2604*

With Onan P/N 300-2604, the value of Resistor R1 is not the same on every board. There is no Revision Level or other Part Number variation to indicate this -- the only way to confirm which resistor is used is to check the original board itself.

**STEP 1:** Verify value of Resistor R1 on the original Onan board you intend to replace. *If value is 43 Ohms (Yellow, Orange, Black), nothing needs to be done to the replacement board -- simply install it. If value is 220 Ohms, proceed to step 2.* (Value of R1 can also be verified with an Ohmmeter)



**STEP 2:** If value of Resistor R1 on the original Onan board which you intend to replace is 220 Ohms (Red, Red, Brown) a quick and simple modification must be made to the Flight Systems board before you install it. *Carefully cut the "Piggyback" resistor off at the points indicated above.* Be careful not to cut leads going directly from R1 to the board.

*If you have any questions or require assistance, call  
F.S. Tech Dept. @ 800-403-3728 7:30-4 ET, M-F*

Rebuilding Services and  
Replacements for Generator  
Controls since 1978 ...



**FLIGHT SYSTEMS**

www.flightsystems.com • Ph: 717-932-9900